



FEATURES

- The **DRS-201D** is an instrument conceived to measure electrical parameters such as energy consumption in single-phase AC systems.
- Measurement readings can be obtained locally (through an LCD display) or remotely, using a pulse output for communication.
- With a very compact design and suited to Din rail fastening, DRS-201D allows direct measuring of loads up to 45Aac. Two options are available for voltage measuring – 120 Vac or 220 Vac – which can be defined during the ordering process.

APPLICATIONS

- Submetering
- Analog instruments substitution in low cost submetering systems



CONSUMPTION

PRODUCT INFO

ELECTRICAL PARAMETERS

- Active Energy Measurement (consumption)

DIRECT MEASUREMENT – 45 A

- Direct measurement of currents up to 45Aac, without requiring external current transformers

INSTALLATION

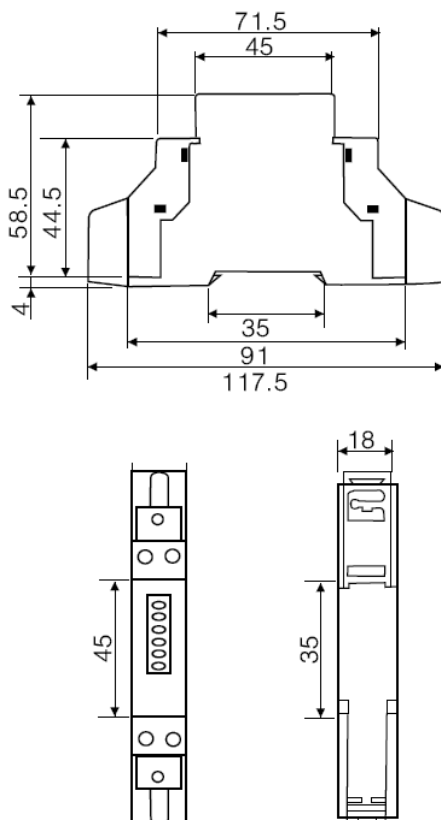
- Panel's Background, 35 mm DIN Rail Fastening
- Technical support via e-mail, telephone, WhatsApp and YouTube videos

INTERFACES & READINGS

- Man Machine Interface (MMI) composed of an LCD display, allowing easy local reading
- Includes pulse output for remote reading of active energy, using wired connection to external device inputs (PLCs, mechanical counters, etc.)

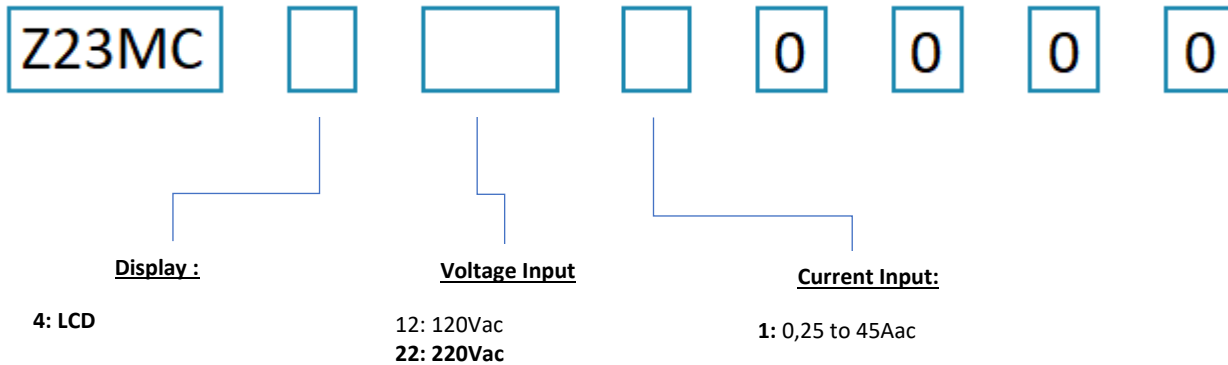
ELECTRICAL GREATNESSES	<i>Energy</i>	Positive Active Energy - kWh (Consumption)
MEASUREMENTS AND INPUT INFO	<i>Connection Diagram</i>	Single-phase
	<i>Voltage – Working Range</i>	120 or 220Vc.a. (to be defined during the ordering process) Working Range: 70 to 130% of the nominal value
	<i>Current – Working Range</i>	0,25 to 45Aac (In = 5Aac)
	<i>Frequency – Working Range</i>	50/60Hz
	<i>Connection</i>	Terminal Blocks (IP-20)
	<i>Maximum cable to be used</i>	6mm ²
	<i>Internal Consumption</i>	< 10VA
ACCURACY at 25°C (77 °F), referred to the full scale	<i>Energies</i>	1%
PULSE OUTPUT	<i>Electrical Quantity</i>	Positive Active Energy (Consumption)
	<i>Type</i>	Open Collector Voltage (external power source): 5 to 27Vc.c. Pulse width: 80ms ± 20ms Max. Current: 27mA Max. Frequency: 10 Hz
	<i>Pulse rate (fixed)</i>	1 pulse/0,5Wh
DISPLAY	<i>LCD(green)</i>	1 line x 7 columns Value representation: 5 digits for whole numbers, 2 for decimals
CASE	<i>Material</i>	Thermoplastic ABS
	<i>Mass</i>	0.2Kg
	<i>Protection Degree</i>	IP-51 (case) and IP-20 (electrical connections)
	<i>Temperature</i>	Operation: -10 to 50°C (14 to 122°F) Storage: -30 to 70° C (-22 to 158°F)
ENVIRONMENTAL CONDITIONS	<i>Relative Air Humidity</i>	Maximum of 75% (without condensation)
	<i>Temperature Coefficient</i>	100ppm/°C
	<i>Electrical Parameters</i>	IEC 62053-21
STANDARDS		

DIMENSIONS



Dimensions in millimeters

How to Specify:



Standard Model: (Example)

Z23MC 4 2 2 1 0 0 0 0

DRS-201D {LCD}{Voltage Input: 220Vac}{Current Input: 0,25 to 45Aac}

©2021 Kron Instrumentos Ltda - The information contained in this technical sheet is subject to changes without previous notice.
For correct utilization of the product, the User Manual must be consulted before its installation or operation.
Some items presented here may be optional, being necessary the correct product specification by their code.

Kron Instrumentos Elétricos Ltda.

Rua Alexandre de Gusmão, 278 - São Paulo, SP | Brasil

Tel: 55 (11) 5525-2000 | www.kron.com.br | suporte@kron.com.br | vendas@kron.com.br