

## FEATURES

- Earth Leakage Relays are residual current monitors, intended to detect potentially dangerous ground fault currents before they cause any hazard, helping on protecting personnel, electric panels and general electrical-electronic machinery
- The **RFTC-1** models are compact solutions for monitoring of AC ground current leakage, combining both earth leakage relay and toroidal sensor functions in a single unit. DIP-Switches and potentiometers are included, allowing configuration of tripping currents, tripping delay time and manual or automatic reset execution.
- Available in four different window sizes ( $\varnothing$ : 35, 60, 80 or 110 millimeters)

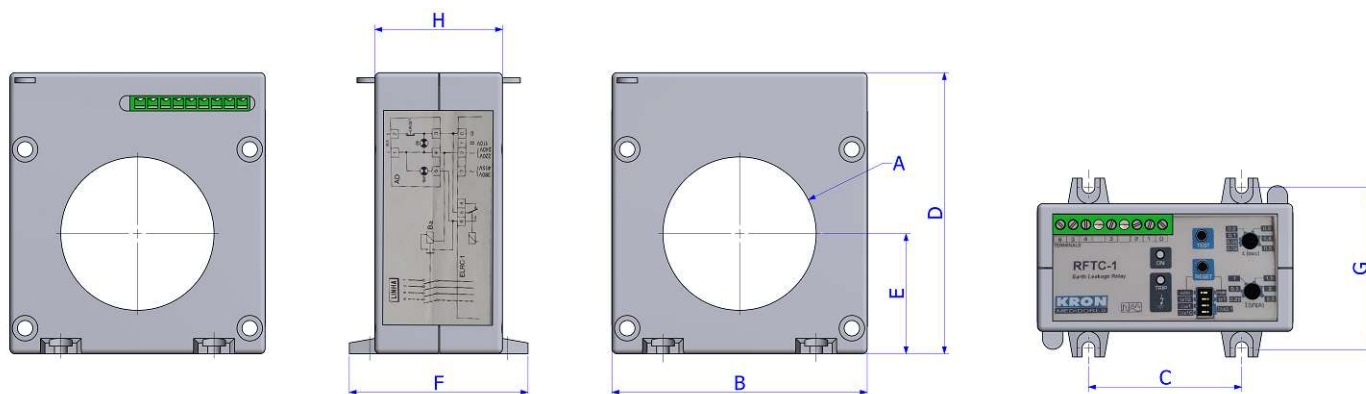
## APPLICATIONS

- Personnel protection against electrical shocks
- Protection of sensitive electronic equipments
- Protection for classified areas (hazardous locations and the risk of fire and explosions associated with them)

## PRODUCT INFO

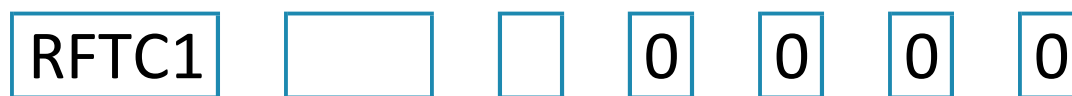
|  |   |   |
|--|---|---|
| <b>TRIPPING SET-POINT<br/>(CURRENT INFO)</b> | <i>Tripping current</i><br>(25mA ~ 25Aac) | 25m...250mAac (dip-switch set as $I\Delta = 0,1$ )<br>250m...2.5Aac (dip-switch set as $I\Delta = 1$ )<br>2.5...25Aac (dip-switch set as $I\Delta = 10$ ) |
|  | <i>Circuit's maximum current</i>          | 1000Aac   |
| <b>TRIPPING<br/>DELAY TIME</b>               | <i>Tripping time</i><br>(0.02 ~ 5s)       | 0.02...0.5s (dip-switch set as tx = 1)<br>0.2...5s (dip-switch set as tx= 10)   |
|  | <i>Relay Output</i>                       | 1 output (trip), with 3 terminals (5A / 240Vac)   |
| <b>OUTPUT</b>                                |   |   |
| <b>POWER SUPPLY</b>                          | <i>Voltage</i>                            | 110Vac/Vdc – 240Vac – 415Vac<br>24Vac/Vdc – 48Vac/Vdc   |
|  | <i>Internal Consumption</i>               | < 3VA   |
| <b>SAFETY</b>                                | <i>Insulation Test</i>                    | 2.5kV for 60 seconds  |
| <b>INSTALLING</b>                            | <i>Type</i>                               | Panel's background  |
|  | <i>Fastening</i>                          | Side Screws   |
|  | <i>Maximum Cable to be Used</i>           | 2.5mm <sup>2</sup>  |
| <b>CASE</b>                                  | <i>Material</i>                           | Thermoplastic   |
|  | <i>Protection Degree</i>                  | Terminal Blocks: IP-20   Case: IP-40 (with protection sheet)  |
| <b>ENVIRONMENTAL<br/>CONDITIONS</b>          | <i>Operation Temperature</i>              | 10 to 60°C (14 to 140°F)  |
|  | <i>Storage Temperature</i>                | -20 to 80°C (-4 to 176°F)   |
|  | <i>Relative Air Humidity</i>              | Maximum of 90% (without condensation)   |
| <b>STANDARDS</b>                             | <i>Electrical Parameters</i>              | IEC/EN 61010      IEC/EN 61000-6-2      IEC/EN 61000-6-3<br>IEC/TR 60755      CEI EN 60947-2 ANNEX M  |

### DIMENSIONS



| MODEL      | DIMENSIONS (mm) |     |     |     |    |    |    |    |
|------------|-----------------|-----|-----|-----|----|----|----|----|
|            | A               | B   | C   | D   | E  | F  | G  | H  |
| RFTC-1/35  | 35              | 100 | 60  | 110 | 47 | 70 | 60 | 50 |
| RFTC-1/60  | 60              | 100 | 60  | 110 | 47 | 70 | 60 | 50 |
| RFTC-1/80  | 80              | 150 | 110 | 160 | 70 | 70 | 60 | 50 |
| RFTC-1/110 | 110             | 150 | 110 | 160 | 70 | 70 | 60 | 50 |

### How to Specify:



#### Window size (diameter)

- 035: 35mm
- 060: 60mm
- 080: 80mm
- 110: 110mm

#### Power Supply

- 1: 110Vac / Vdc – 240Vac – 415Vac
- 2: 24Vac/Vdc – 48 Vac/Vdc

#### Standard Model (Example):

**RFTC1 060 1 0 0 0 0**

RFTC1 {Window size:  $\varnothing$  60mm} {Power Supply: 110Vac/Vdc – 240Vac – 415Vac}

©2020 Kron Instrumentos Ltda - The information contained in this technical sheet is subject to changes without previous notice.  
For correct utilization of the product, the User Manual must be consulted before its installation or operation.  
Some items presented here may be optional, being necessary the correct product specification by their code.

### Kron Instrumentos Elétricos Ltda.

Rua Alexandre de Gusmão, 278 - São Paulo, SP | Brasil

Phone: 55 (11) 5525-2000 | [www.kron.com.br](http://www.kron.com.br) | [suporte@kron.com.br](mailto:suporte@kron.com.br) | [vendas@kron.com.br](mailto:vendas@kron.com.br)