



RS-485

## FEATURES

- **iKron AC** meters are digital instruments conceived to measure electrical parameters, through current and/or voltage inputs in monophase systems, low, medium and high voltage applications. The core concept of iKron AC line is to incorporate quality, accuracy, technology, sturdiness and friendly interface, making the installing and configuring processes easier.
- Measurement readings can be obtained locally (through a LED display, with 7 segments and 4 digits) or remotely, using a RS-485 output for communication with a supervision system (optional).
- Current transformer (**CT**) and Potential transformer (**PT**) ratios can be configured, allowing the application of **iKron AC** in systems with loads and/or voltages higher than the direct measurement limits.

## APPLICATIONS

- Automation systems
- Usage in panels, machineries and equipment
- Analog instruments replacement
- Display of electrical parameters and process variables

## BENEFITS

- Completely configurable product, which facilitates its usage in multiple applications;
- **TRUE RMS** measurements;
- User friendly interface;
- Configuration and readings performed via RS-485 output.

## PRODUCT INFO

### MULTIPLE MODELS

- Voltmeter (Vac)
- Amperimeter (Aac)
- Frequency meter (Hz)
- Wattmeter (W)
- Var meter (var)
- Power Factor meter (Cos  $\phi$ )

### USER INTERFACE AND PARAMETER READING

- Man Machine Interface (MMI) composed of a LED display and navigation keys, allowing local configuration and readings.
- Free software RedeMB, which allows remote reading via RS-485 network connection.
- Modbus-RTU protocol, allowing integration to PLCs, master MMIs, supervisory systems and data concentrators.

### INSTALLATION AND TECHNICAL SUPPORT

- Front Panel (overlap)
- Very easy to install
- Technical support using multiple channels - phone, e-mail, Whatsapp and videos

### COMMUNICATION

- RS-485 output (optional)

### DISPLAY

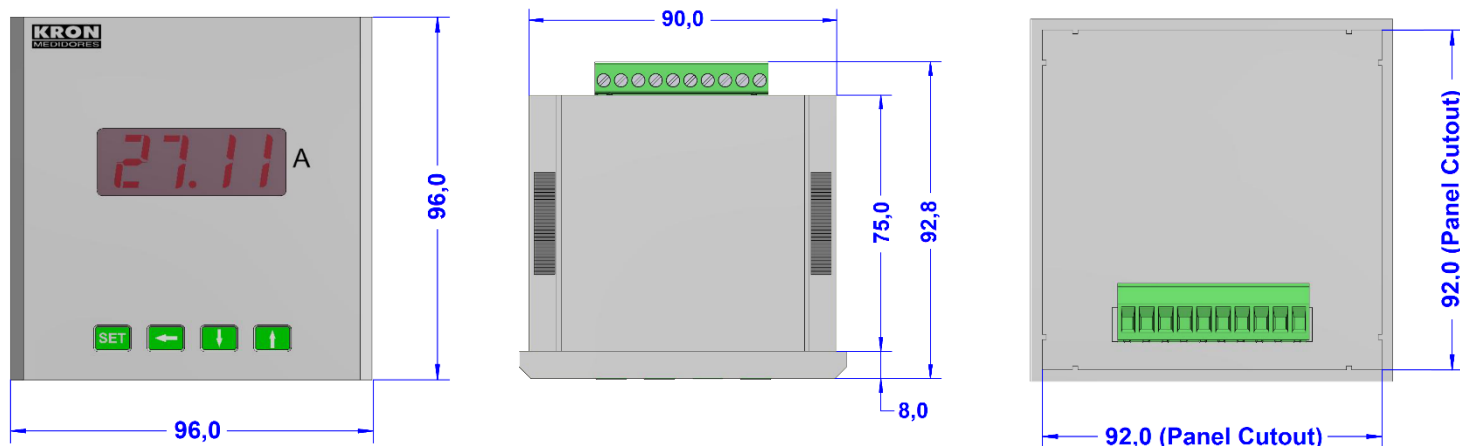
- High-bright red LED display, 4 digits and 7 segments.

<b>INPUTS AND CONNECTIONS</b>	<i>Connection Diagram</i>	Monophase (Phase-Neutral or Phase-Phase)
	<i>Voltage Range</i>	5 to 600Vac (Phase-Phase)
	<i>Current Range</i>	20mA 1Aac / 20mA 5Aac (must be defined in the acquisition order)
	<i>Frequency</i>	50Hz (42,5 to 57,5Hz) 60Hz (51 to 69Hz) 400Hz (340 to 460Hz)
<b>ACCURACY</b>	<i>Maximum cable to be used</i>	2,5mm <sup>2</sup>
	<i>The accuracy refers to the full scale (25°C, subject to the recommended ranges for voltage)</i>	0,5% + 1 digit
<b>POWER SUPPLY</b>	<i>Working Range</i>	85 -265Vac/Vdc 24Vdc (8 to 30Vdc) 48Vdc (36 to 72 Vdc)*
	<i>Internal Consumption</i>	< 5VA
<b>COMMUNICATION</b>	<i>Connection Type / Protocol</i>	RS-485 - Modbus RTU
	<i>Transmission Speed</i>	9600
	<i>Data Format</i>	8N1
	<i>Addressing</i>	1 to 247 (configurable)
<b>CASE</b>	<i>Material</i>	Thermoplastic
	<i>Mass</i>	0,2kg
	<i>Protection Degree</i>	IP-40
<b>ENVIRONMENTAL CONDITIONS</b>	<i>Operation Temperature</i>	0 to 50°C
	<i>Relative Air Humidity</i>	Maximum of 85% (without condensation)

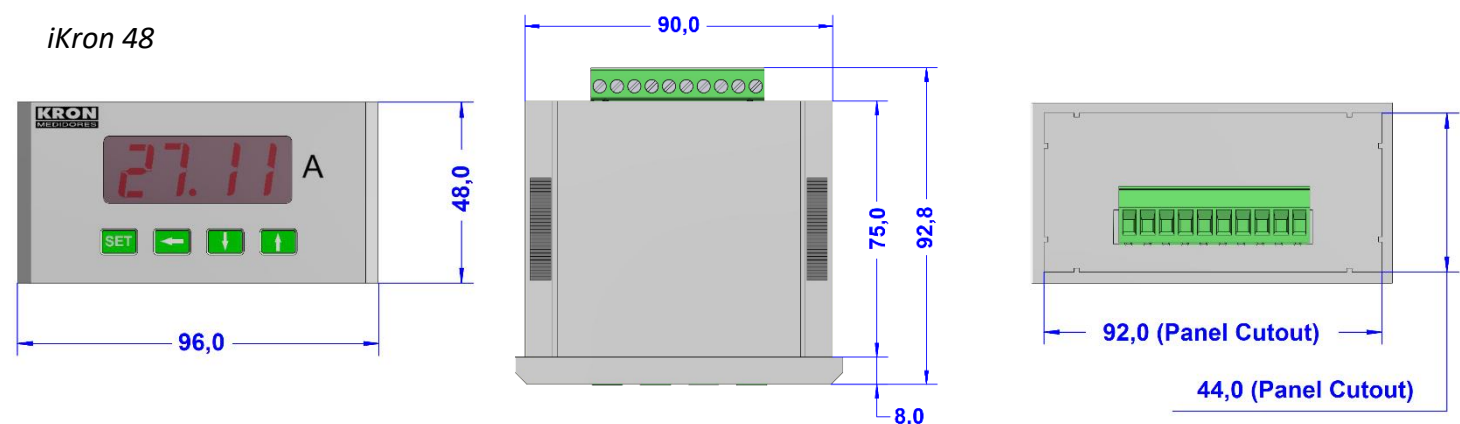
\*Only for voltmeter option, not available for other configurations.

## DIMENSIONS

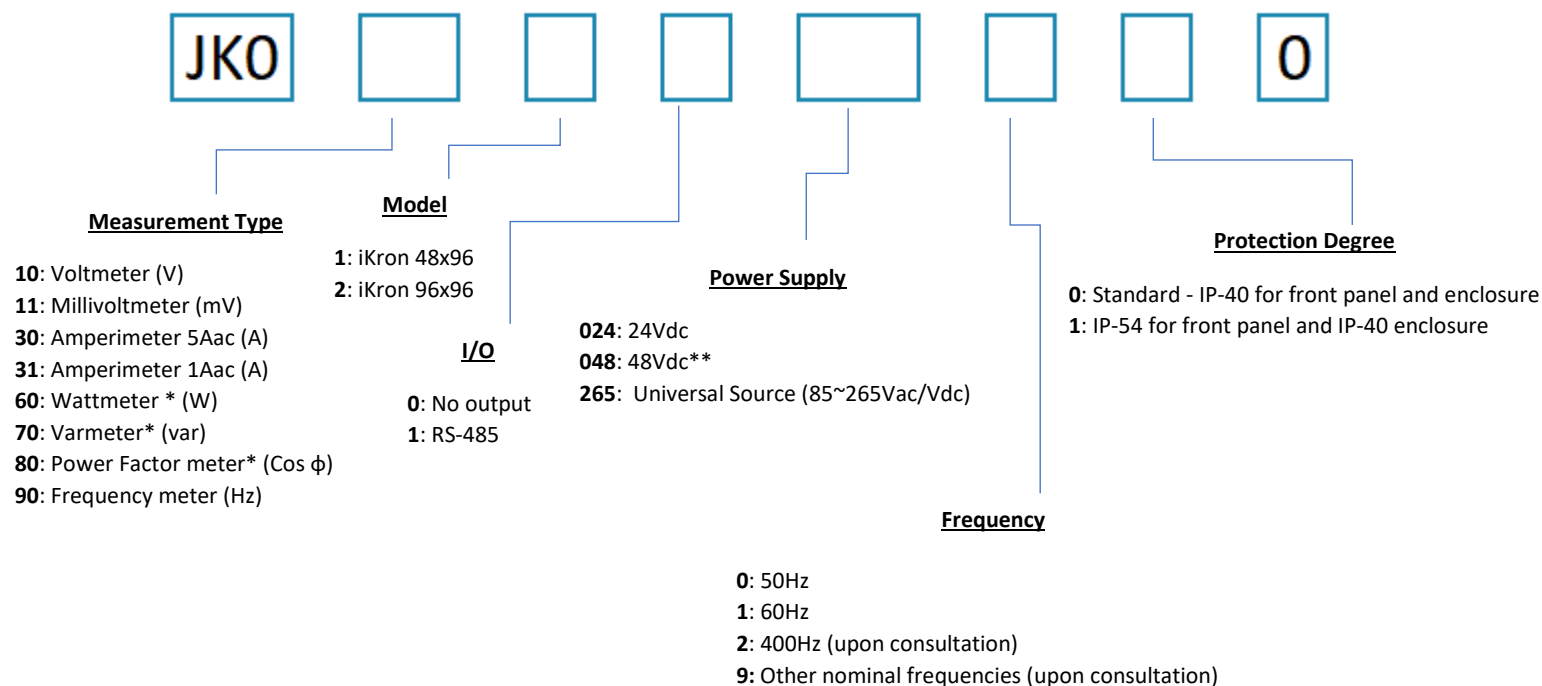
*iKron 96*



*iKron 48*



## How to Specify:



\* Includes Voltage and Current Inputs

\*\* Only for voltmeter option

### Coding Example:

**JKO 10 1 1 265 0 0 0**

iKron {AC Voltimeter 600Vac} {iKron 48} {RS-485 output} {Universal Source (85-265 Vac/Vdc)} {Frequency 50Hz} {Protection Degree IP-40}

©2021 Kron Instrumentos Ltda – The information contained in this Technical datasheet is subject to changes without previous notice.  
 For correct utilization of the product, the User Manual must be consulted before its installation or operation.  
 Some items presented here may be optional, being necessary the correct product specification by their code.

**Kron Instrumentos Elétricos Ltda.**

Rua Alexandre de Gusmão, 278 - São Paulo, SP | Brasil

Tel: 55 (11) 5525-2000 | [www.kron.com.br](http://www.kron.com.br) | [suporte@kron.com.br](mailto:suporte@kron.com.br) | [vendas@kron.com.br](mailto:vendas@kron.com.br)